

MERLO

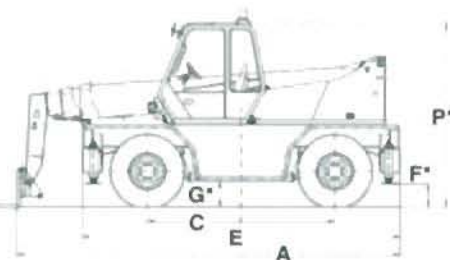


ROTO 40.18 EVS - 40.21 EVS

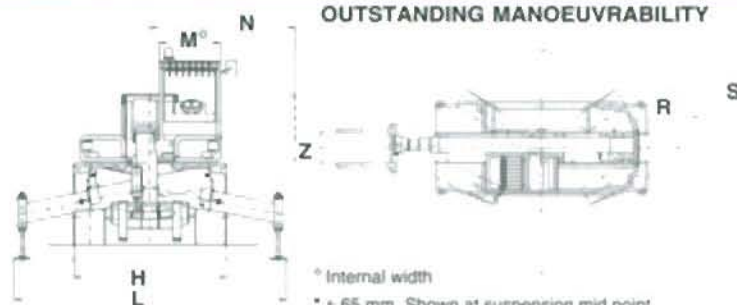
ROTO 40.18 40.21

A mm	6085	6600
C mm	2970	2970
E mm	5030	5030
F mm	360	360
G mm	410	410
H mm	2400	2400
L mm	4285	4285
M mm	940	940
N mm	2390	2505
P mm	2950	2950
R mm	4050	4050
S mm	5150	6100
Z mm	850	850

DIMENSIONS



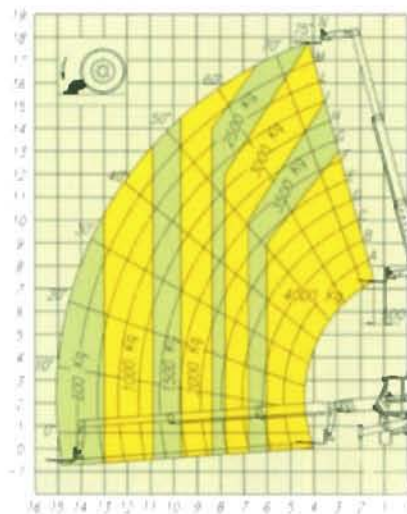
OUTSTANDING MANOEUVRABILITY



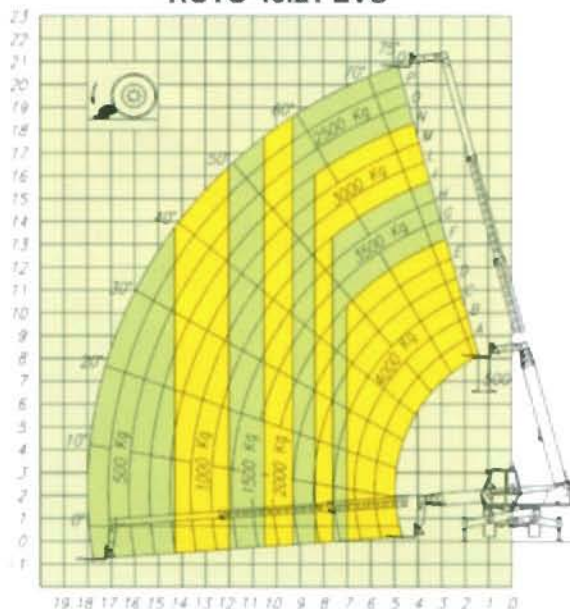
* Internal width

* ± 65 mm. Shown at suspension mid point

ROTO 40.18 EVS



ROTO 40.21 EVS



Lift capacities at 500 mm load centre

	40.18 EVS	40.21 EVS		40.18 EVS	40.21 EVS
WEIGHTS			Slowing	continuous	continuous
Machine weights with forks	kg	14300	14500		
PERFORMANCES ON STABILISERS			OPERATING TIMES		
Max. lift capacity	kg	4000	4000	Turret rotation	sec/round
Max. lift height	mm	17800	20800	Boom lift	sec
Max. reach	mm	15000	18000	Boom lower	sec
Max. height at full capacity	mm	13000	13300	Boom extend	sec
Max. reach at full capacity	mm	6000	7000	Boom retract	sec
Max. capacity at full height	kg	3000	2500	Carriage tilt (full rotation)	sec
Max. capacity at full reach	kg	600	500	Bucket dump (800 l bucket)	sec
Tear-out force with 800 l bucket	kg	4230	4230		
Drawbar pull	kg	7800	7800	TRAVEL SPEED	
Carriage rotation	deg	140°	140°	1st gear	kph
				2nd gear	kph

OPERATOR'S CAB

Cab dimension complies with norms EN 23411. Boom and carriage services are controlled by '5 in 1' electronic joystick.

Instrumentation includes: combined speedometer/tachometer, hour meter, fuse box, fuel level gauge, engine coolant temperature gauge, warning light annunciator panel combining warnings for blocked air filter, hydrostatic oil level and temperature, engine oil pressure, engine coolant temperature, parking brake operation.

SAFETY SYSTEMS

The Merlo overload warning system activates both audible and visual warning signals, simultaneously applying a lock to the hydraulic system to prevent further overloading motion. The Computerised Slew Safety system (CSS) continually monitors each outrigger cylinder, ensuring that ROTO machines can be used to maximum advantage while retaining complete stability. Anti-hose burst check valves are fitted in all hydraulic cylinders. Cab mounted fire extinguisher fitting brackets. Safety belts. Standard audible reversing warning.

BOOM ASSEMBLY

The four section boom is fabricated from high yield strength steel and extends upon low friction pads, which can be externally adjusted.

The extension ram is internally mounted for increased protection against site damage.

INDEPENDENT OUTRIGGERS

The four independently controlled outriggers permit chassis levelling in rough site conditions.

HYDROPNEUMATIC LEVELLING SUSPENSION

Each wheel is equipped with a hydro-pneumatic suspension. The system will correct slopes of up to 9° (16%) laterally or 5° (9%) longitudinally.

PALLET FORKS

Standard 1200mm forks, 130 x 45mm. Centre to centre spacing 450-1050mm, manually adjustable.

ENGINE

ROTO 40.18 EVS: Low emission six cylinder, naturally aspirated engine, direct injection, water cooled, output 88.4 kW (120 HP) at 2200rpm (ECE 80/1269).
 ROTO 40.21 EVS: Low emission six cylinder turbo charged engine, direct injection, water cooled, output 95 kW (129 HP) at 2400rpm (ECE 80/1269).

TRANSMISSION

Closed circuit hydrostatic system with variable displacement pump and motor. Stepless speed control through two range

gearbox, providing travel speeds of 0-11 kph (low range) and 0-40kph (high range). Permanent four wheel drive.

HYDRAULICS

Single, variable displacement axial piston pump, with 'Load-Sensing' control system. Maximum displacement: 120lpm. Operating pressure: 210 bar. 125 micron 'For Life' suction line strainer. 25 micron return line filter.

ELECTRICAL SYSTEM

12 Volt system with 155 Ah battery and 65 A alternator.

SERVICE CAPACITIES

Hydraulic system: 130 l - Diesel fuel: 155 l
 Hydrostatic oil: 12 l - Engine oil: 8.5 l
 Engine coolant: 12 l

TYRES

18-22.5 16 PR on both axles, 8 stud rims (DIN 74361).

OPTIONS

Rear axle differential lock.
 Roof window wiper.
 Front screen guard.
 Pre-arrangement for special attachments.

MERLO UK LTD

Paddocks Headlands Business Park - Salisbury Road
 RINGWOOD - HAMPSHIRE - BH24 3PB - ENGLAND
 Tel. (01425) 480806/470701 - Fax (01425) 477478 - www.merlo.co.uk



MERLO SPA Industria Metallmeccanica

12020 S.DEFENDENTE DI CERVASCA (CN) - ITALY
 Tel. +39 0171-614111 - Fax +39 0171-614100
 Telex 220236 Merlo I - www.merlo.com - E-mail: info@merlo.com

GUARANTEED 100% CHLORINE FREE IN ALL MERLO FORKS

MARKETING MERLO F.131 G. 0099